

CV 7500 Series Control Valves



KEY INSTRUMENTS

250 Andrews Road, Trevoise, PA 19053

800.356.7483 • 215.357.0893
Fax:215.357.9239

www.keyinstruments.com
e-mail:sales@keyinstruments.com

CV 7500 Series Control Valves

Key Instruments offers control valves for low flow OEM, laboratory instrumentation, or bench top flow control applications. The valve designs and material make them suitable for use with a variety of gases and fluids.

Complete valves are available in straight through or 90° degree angle body configurations and are constructed of brass or stainless steel. All valves are supplied with 1/8" FNPT inlet and outlet ports. The valve cartridge may also be integrally mounted in flowmeter assemblies. The economical cartridge valve (CVS) is available in three different needle tapers which cover our entire flow range. These units have a rising stem and provide nine turns from closed to full open.

The precision control valve (CVP) features a non-rising stem and is available in six different needle tapers, for fine control of very low flows. This valve offers sixteen turns from closed to full open. Its design eliminates saw-toothing and is virtually hysteresis free. All materials are matched for similar coefficients of expansion.

CVS-S



CVS-A



CVP-S



CVP-A



Valve Design Features

- All designs are panel-mountable
- Positive shutoff
- Straight through (180°) or right angle (90°) flow paths
- Standard valve 9 turns to full open
- Interchangeable needle tapers
- 316 stainless steel or brass
- Flow ranges from 5 CCM to 68 LPM of air
- Precision valve 16 turns to full open

Materials of Construction

Body Materials	Valve Stem	Seals	Orifice	Temp*	Pressure*
Nickel Plated Brass	316 Stainless Steel	Nitrile	316 Stainless	130° F	250 PSIG
316 Stainless Steel	316 Stainless Steel	Fluorocarbon	Kel-F	250° F	250 PSIG

* Maximum Ratings



KEY INSTRUMENTS

250 Andrews Road, Trevoze, PA 19053

800.356.7483 • 215.357.0893
Fax:215.357.9239

www.keyinstruments.com
e-mail:sales@keyinstruments.com

CV 7500 Series Control Valves

MODEL NUMBER	TAPER SIZE	MAXIMUM FLOW CCM**		CV
		AIR	WATER	
		CVS	1	
CVS	2	46,000	2,150	.0912
CVS	3	68,000	3,550	.1653
CVP	1	253	17	.0006
CVP	2	470	28	.0011
CVP	3	1,100	74	.0029
CVP	4	3,800	219	.0110
CVP	5	11,900	722	.0328
CVP	6	21,300	1,255	.0494
CVP	7	44,000	1,335	.1070
CVP	8	66,000	2,080	.1330

STANDARD VALVE CARTRIDGE (CVS)



PRECISION VALVE CARTRIDGE (CVP)



** BASED ON 10 PSIG INLET PRESSURE OF AIR, EXHAUSTING TO ATMOSPHERE.

VALVE AND CARTRIDGE ORDERING INFORMATION

VALVE CARTRIDGE ONLY



VALVE TYPE

STANDARD: S
PRECISION: P

CARTRIDGE AND BODY MATERIAL

BRASS: B
STAINLESS STEEL: S

NEEDLE VALVE TAPER

CVS: 1,2,3
CVP: 1 THRU 6

COMPLETE CONTROL VALVE



VALVE TYPE

STANDARD: S
PRECISION: P

CARTRIDGE AND BODY MATERIAL

BRASS: B
STAINLESS STEEL: S

NEEDLE VALVE TAPER

CVS: 1,2,3
CVP: 1 THRU 6

FLOW CONFIGURATION

STRAIGHT: S
ANGLE: A



KEY INSTRUMENTS

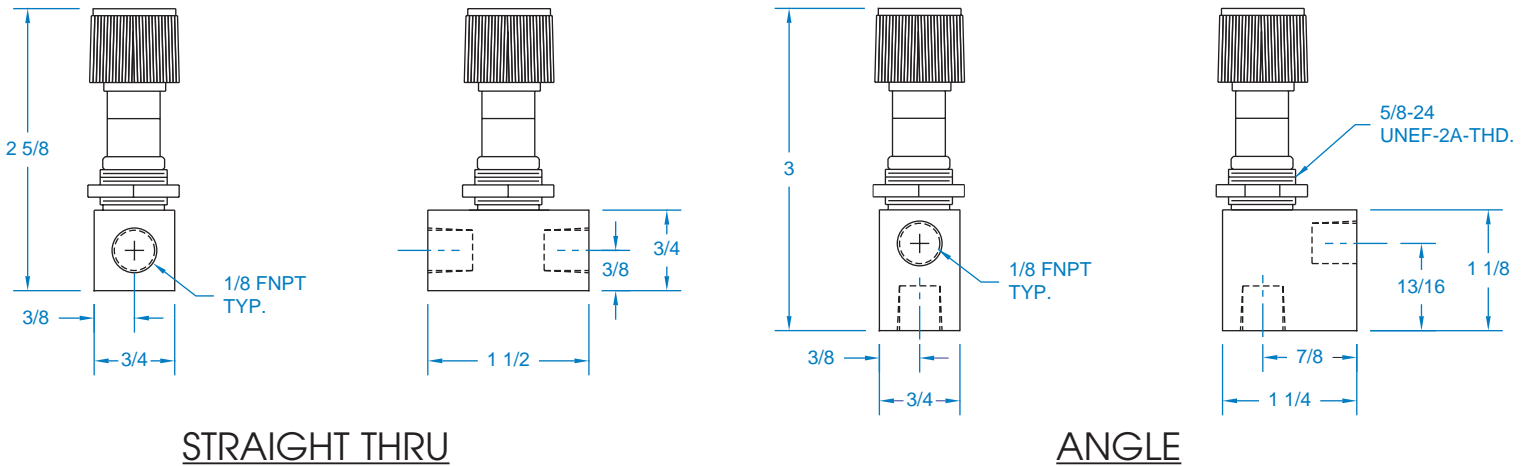
250 Andrews Road, Trevese, PA 19053

800.356.7483 • 215.357.0893
Fax: 215.357.9239

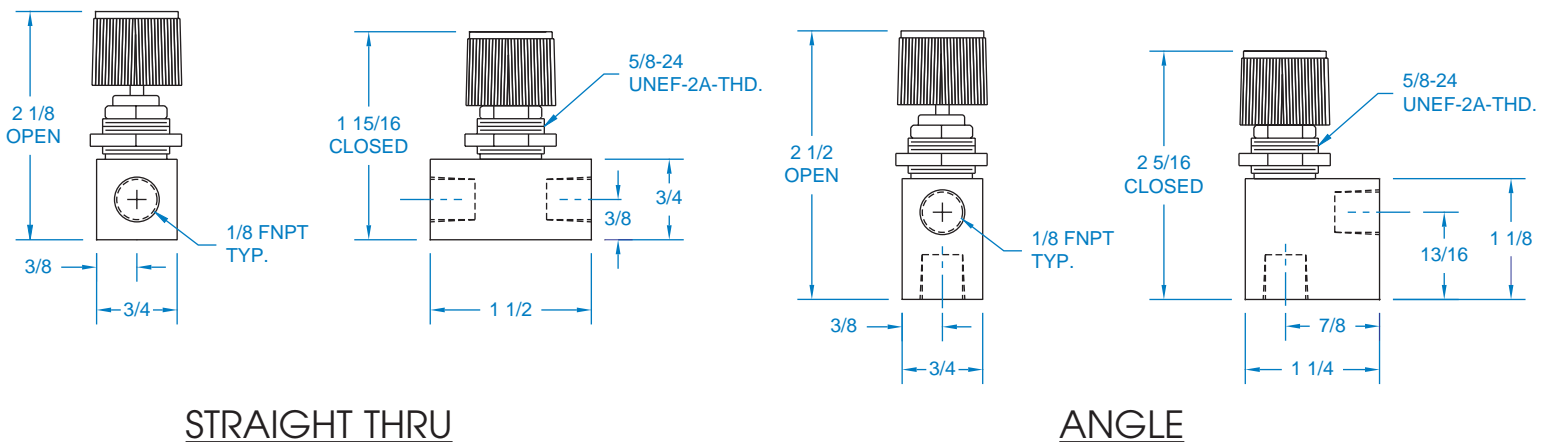
www.keyinstruments.com
e-mail: sales@keyinstruments.com

CV 7500 Series Control Valves

Precision Control Valves (CVP)



Standard Control Valves (CVS)



Key Instruments also manufactures acrylic, polycarbonate and glass tube flowmeters, as well as precision electronic volumetric flowmeters. For additional information concerning prices, delivery, discounts, technical data and order placement, please call.



KEY INSTRUMENTS

JUNE 2003

250 Andrews Road, Trevose, PA 19053

800.356.7483 • 215.357.0893
Fax: 215.357.9239

www.keyinstruments.com
e-mail: sales@keyinstruments.com